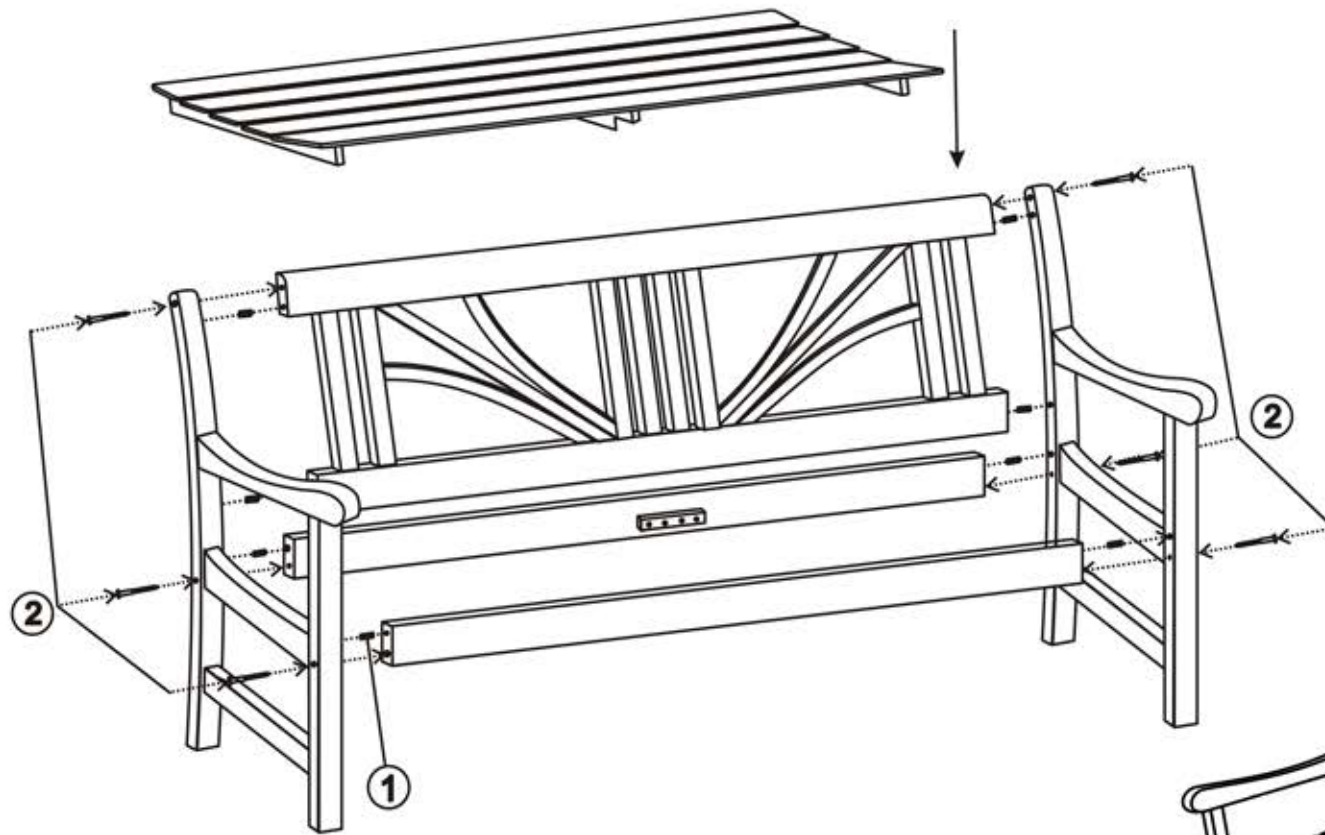



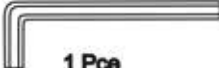


ASSEMBLY INSTRUCTION



- ①  (Ø 10 x 40) mm x 8 Pcs
 - ②  (M7 x 90) mm x 6 Pcs
 - ③  (M4 x 35) mm x 2 Pcs
-  1 Pce

